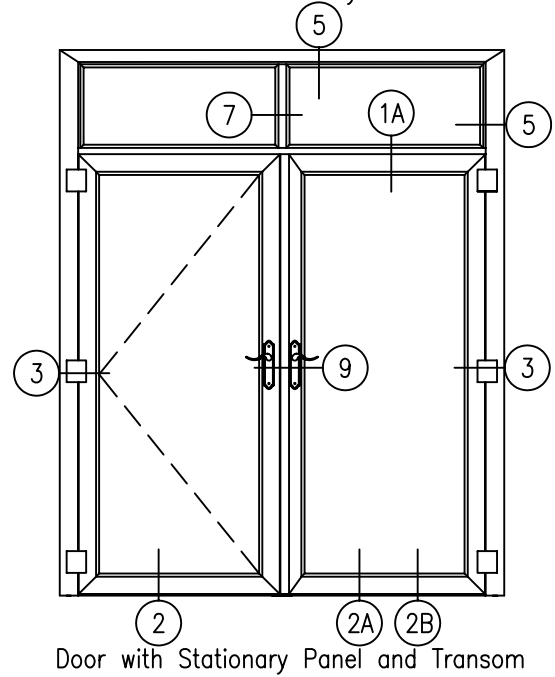
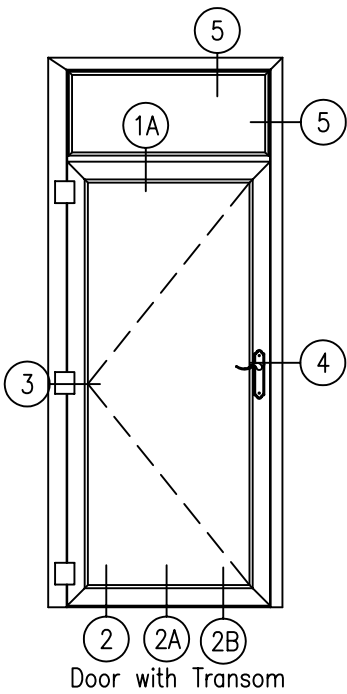
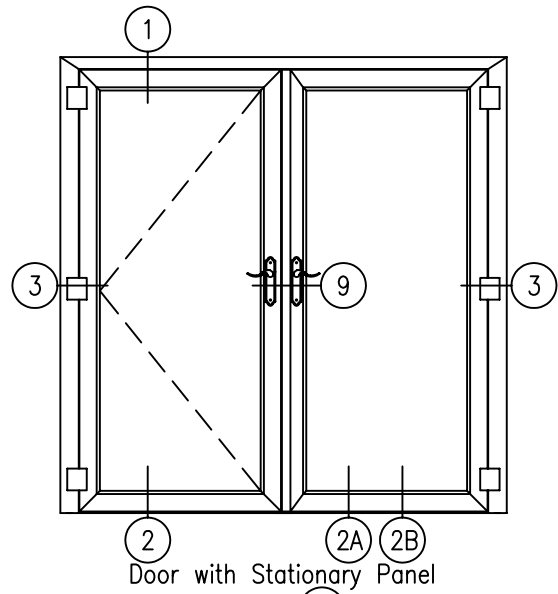
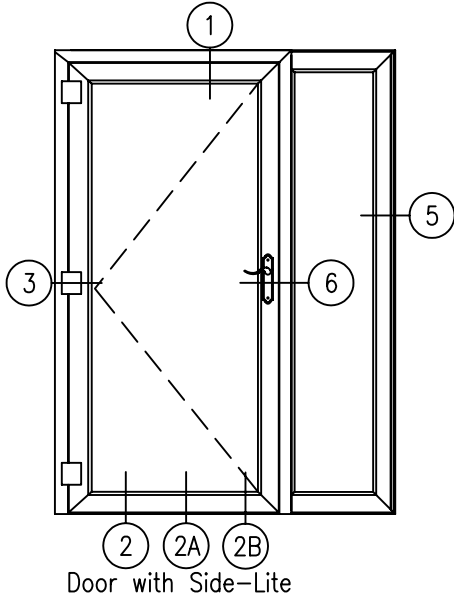
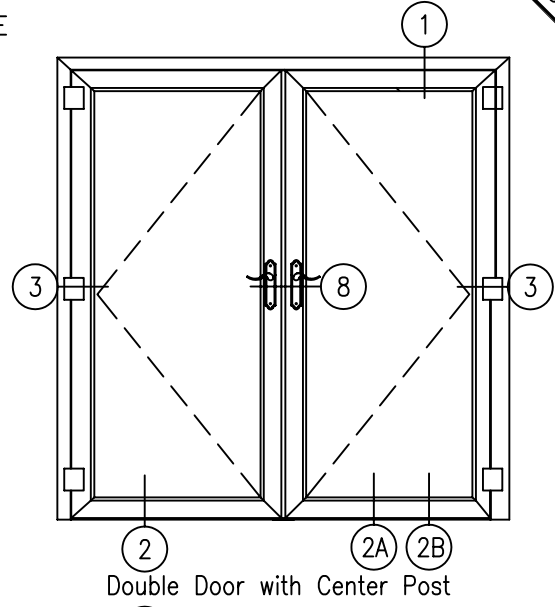
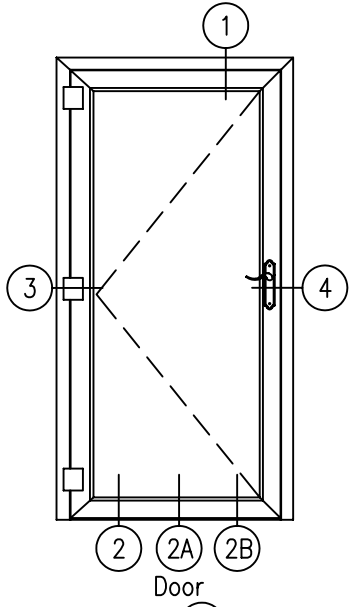


Champion Series 500

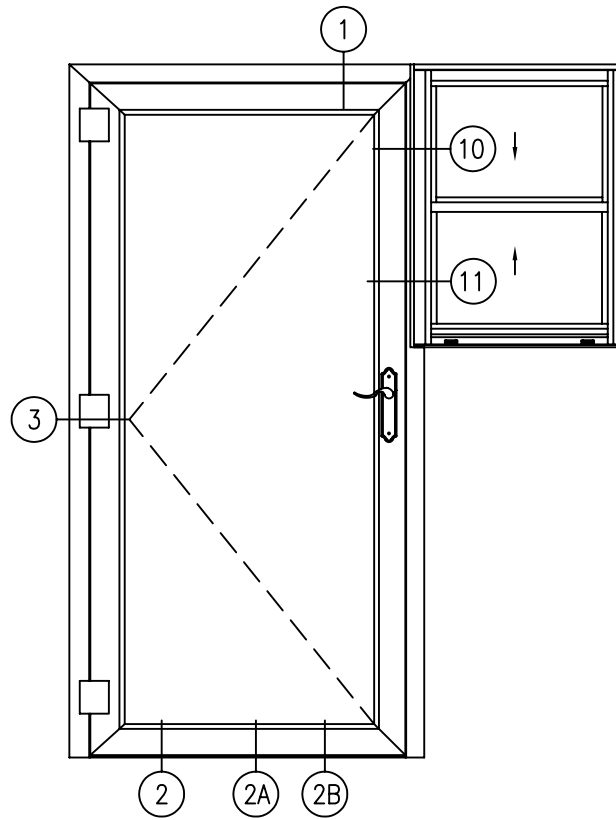
SCALE: NONE

Sheet 1 of 8



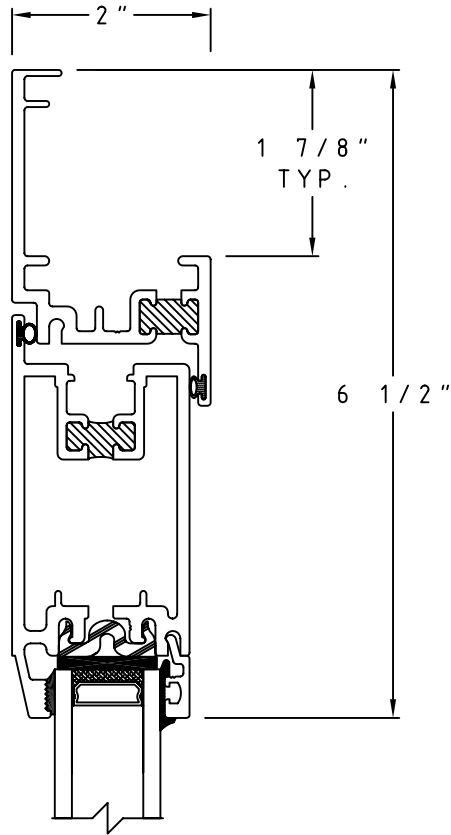
All Elevations are viewed outside looking IN.

Champion Series 500

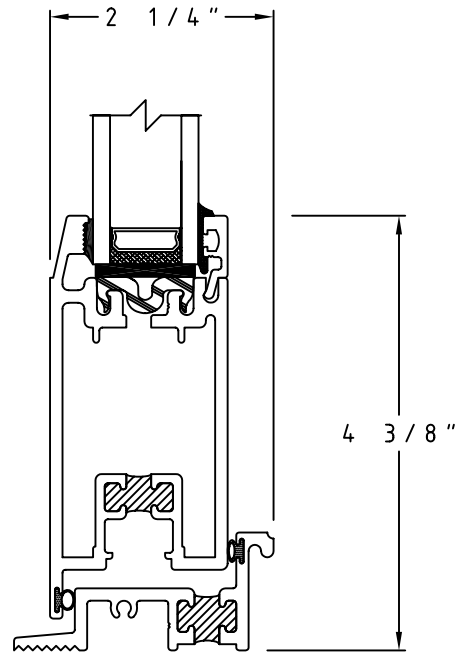


Door/Window with Transition Mullion

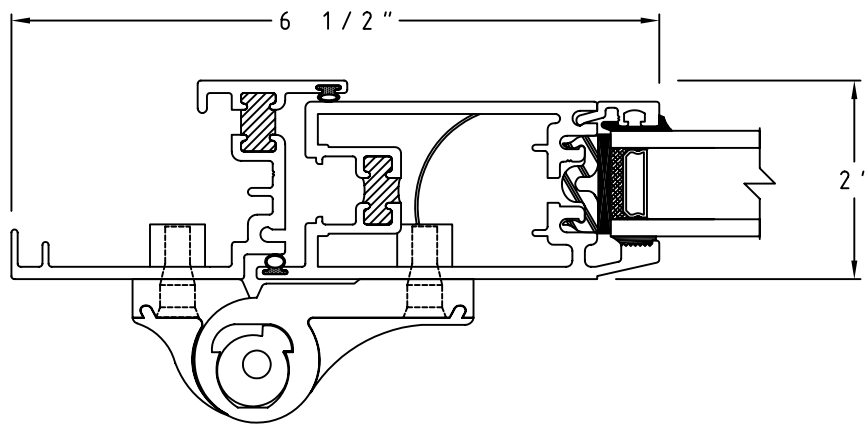
SCALE: HALF



① Head Detail

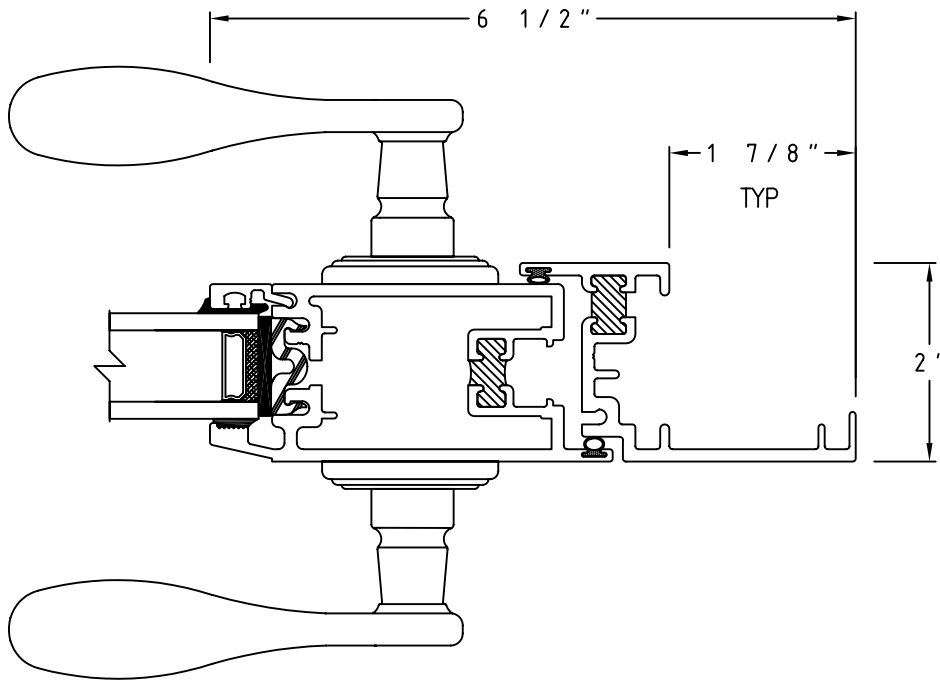


② Sill Detail

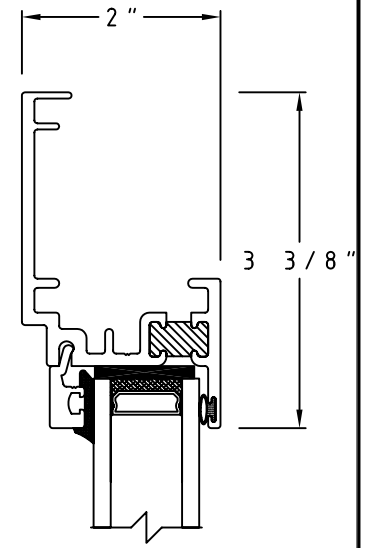


③ Left Hinge Side Jamb Detail

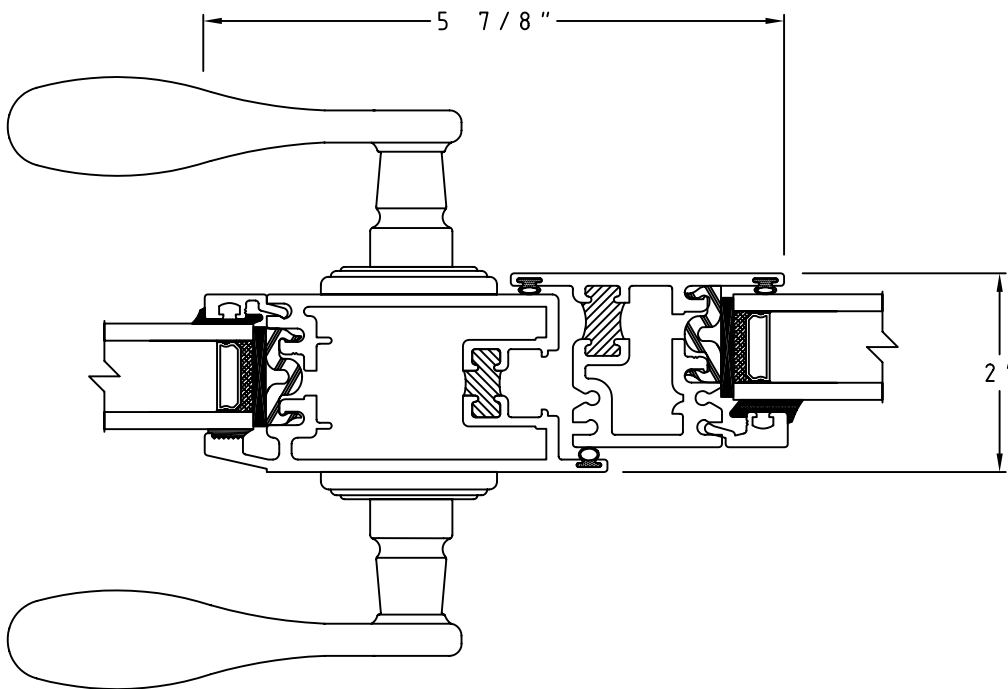
SCALE: HALF



④ Handle Side Jamb Detail

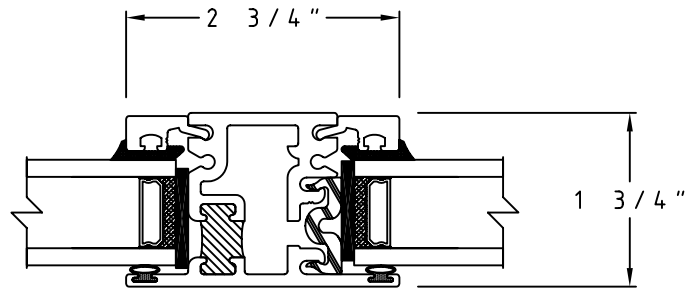


⑤ Transom Head and Jamb Detail

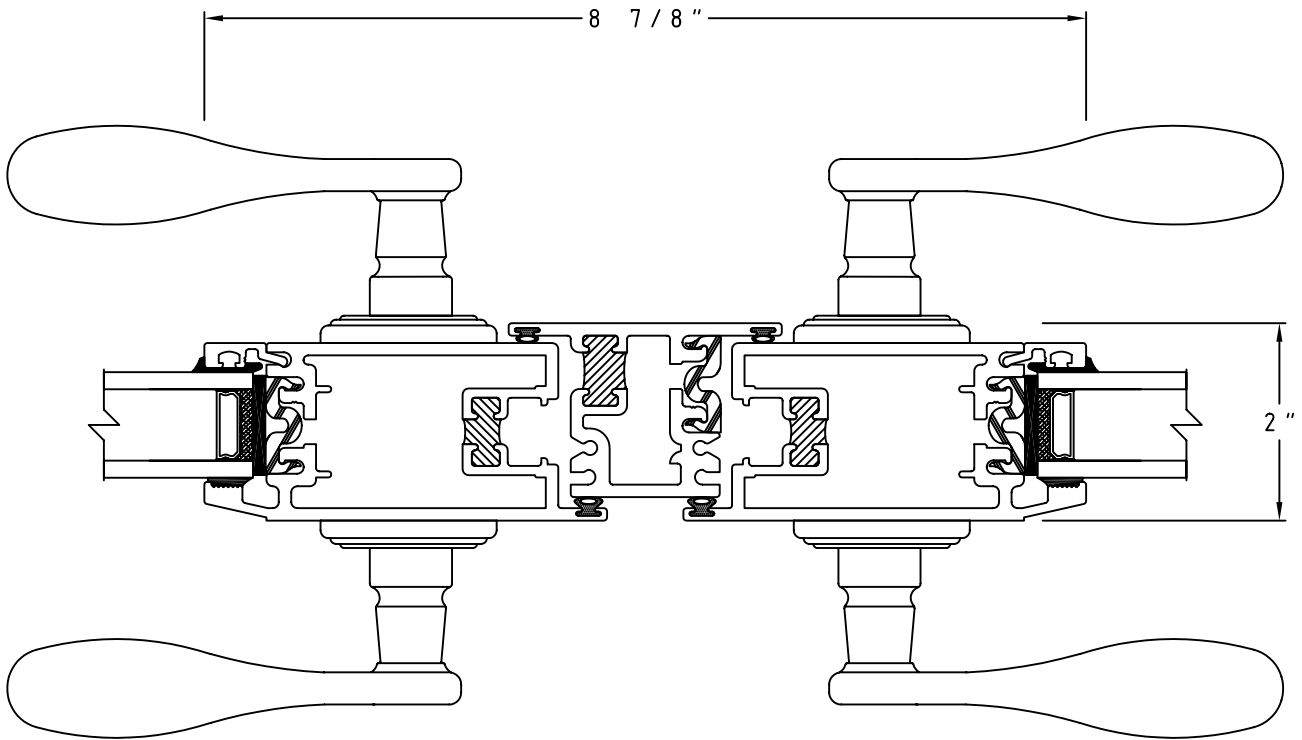


⑥ Door/Side-Lite Jamb Detail

SCALE: HALF

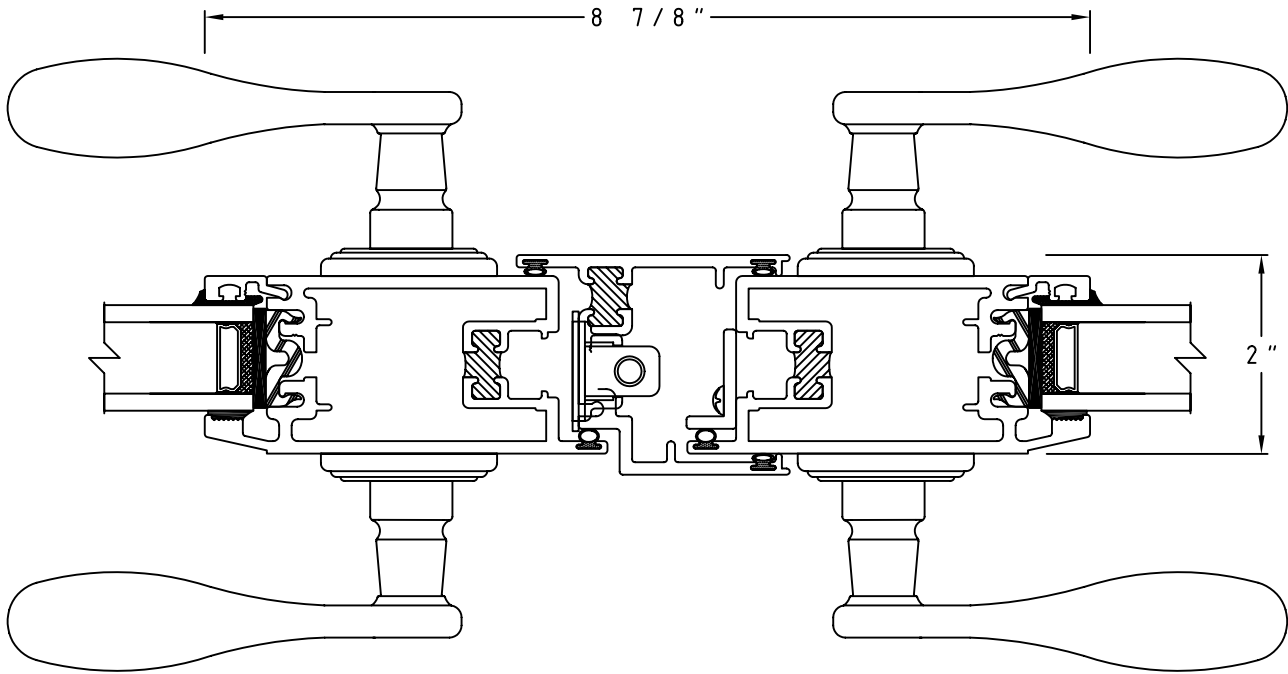


⑦ Transom/Transom Vertical Mullion Detail

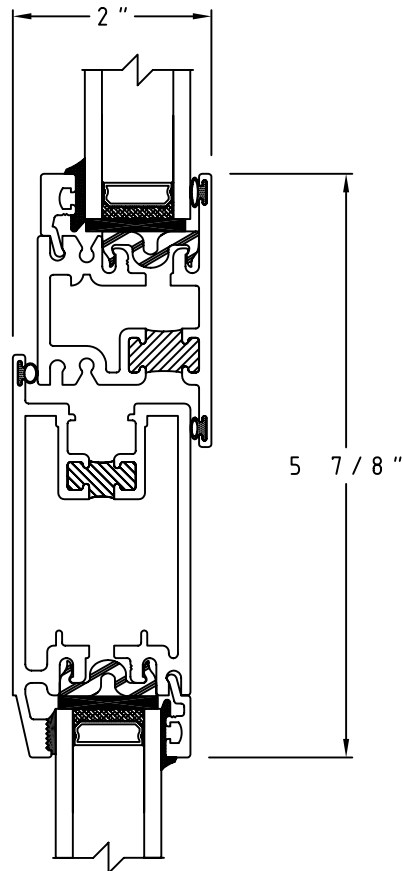


⑧ Double Door Center Post Detail

SCALE: HALF

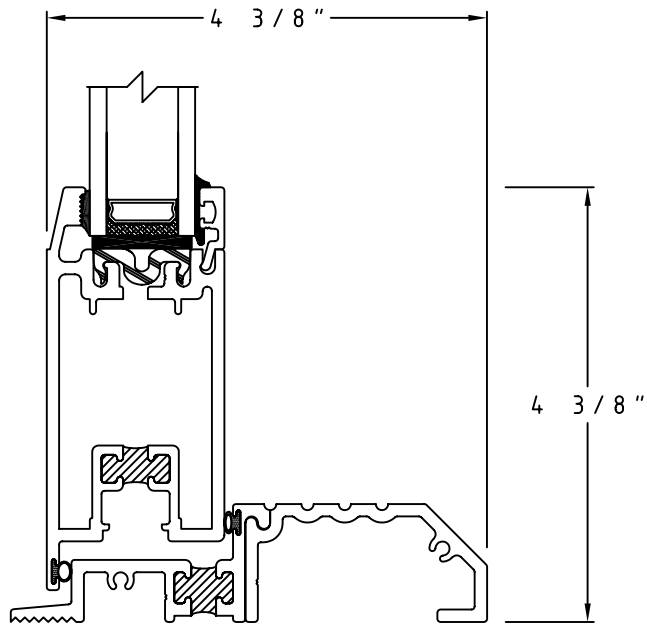


9 Door with Stationary Panel Detail
(No Center Post)

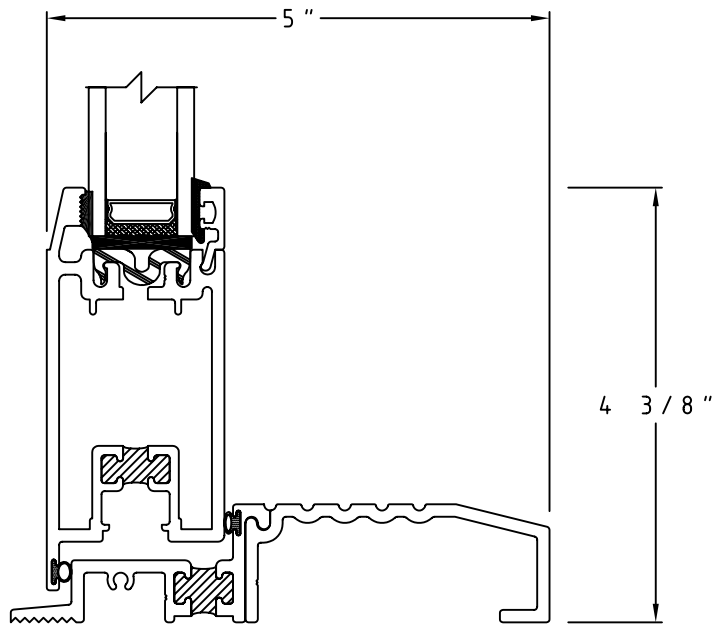


1A Transom above Door Detail

SCALE: HALF

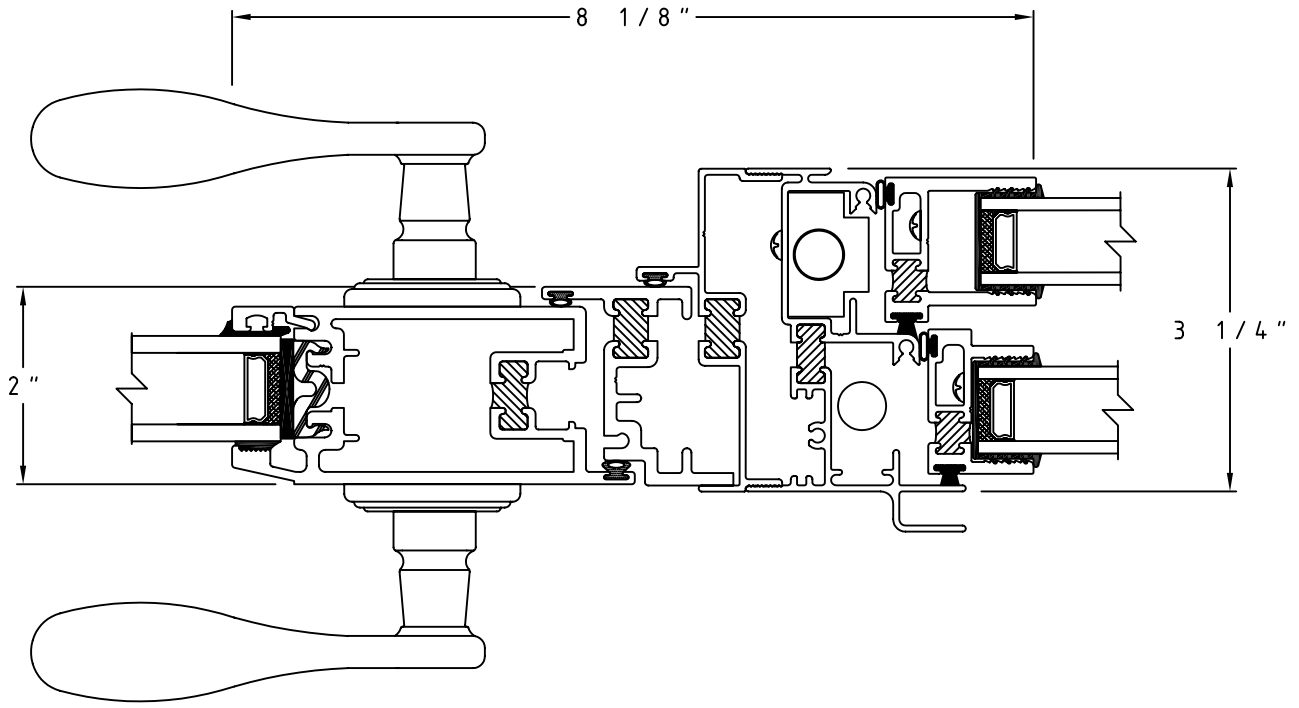


②A Extended Sill #1 Option

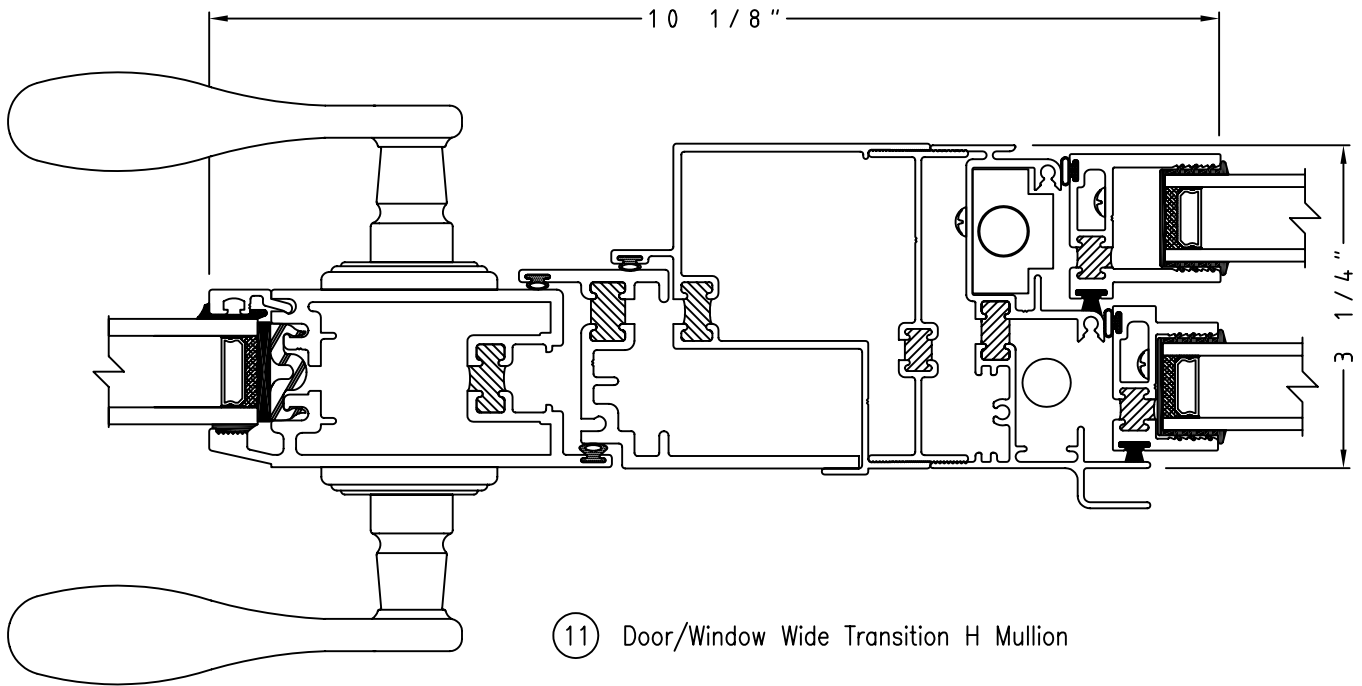


②B Extended Sill #2 Option

SCALE: HALF

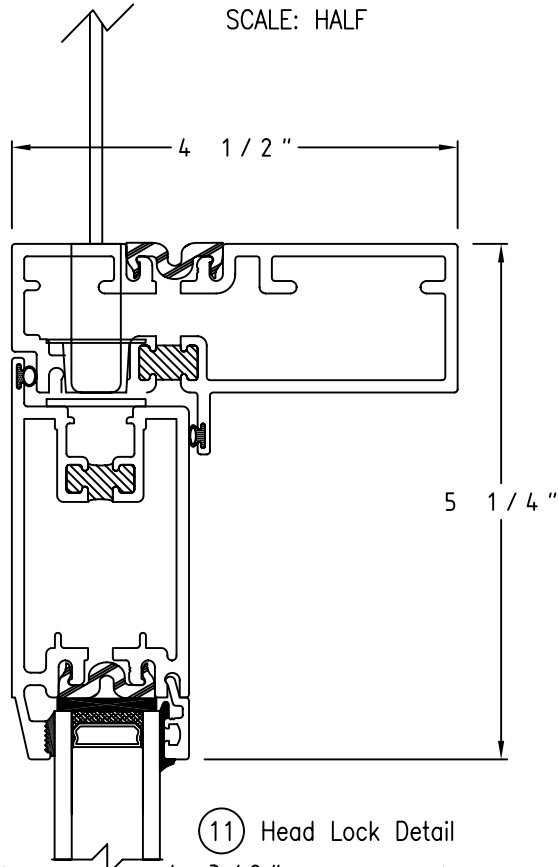


⑩ Door/Window Transition Mullion

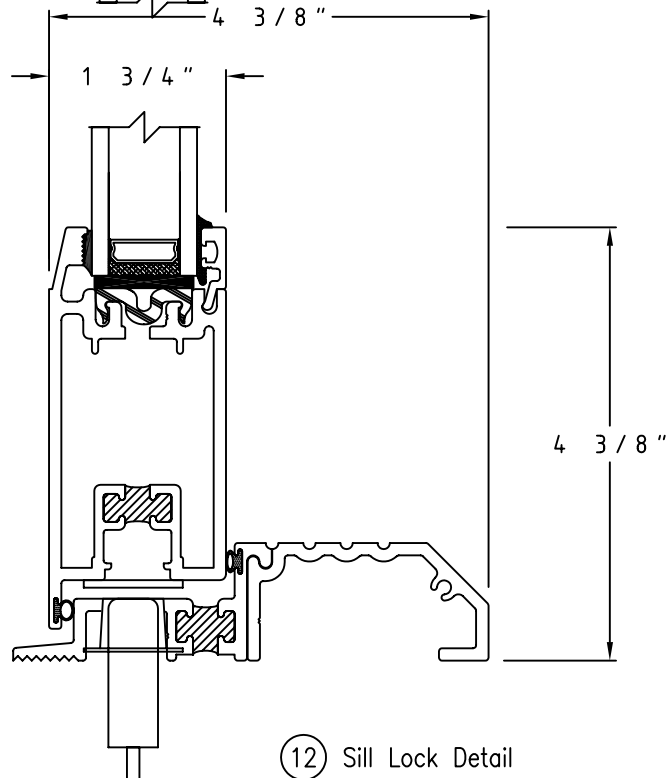


⑪ Door/Window Wide Transition H Mullion

SCALE: HALF



⑪ Head Lock Detail



⑫ Sill Lock Detail